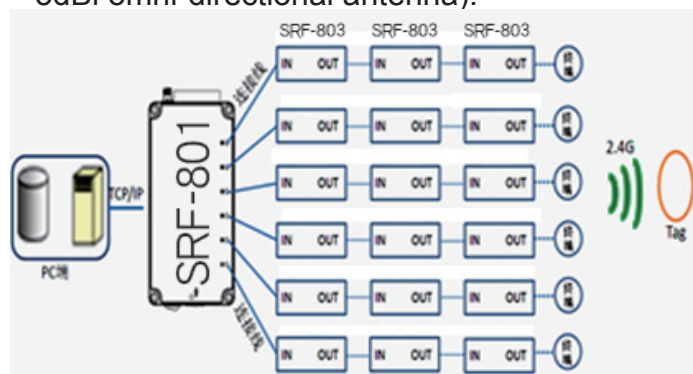


Network 2.4GHz RFID Receiver Terminal

SRF-801

Features

- Supports 6 routes for SRF-803 connection
- Fast data transmission speed, low power consumption.
- With plentiful I/O ports that is easy to integrate the system.
- Read distance can reach 100m (match 5dBi omni-directional antenna).



Spec.

Communication Mode	TCP/IP UDP
Communication Port	RJ45
Connection Port	RJ11-4P4C
External Power	DC12V
RF Parameter	
Operating Frequency	2.4GHz~2.5GHz ISM Microwave
Protocol	User-defined
Modulation	GFSK
Output Power	≤19dBm (adjustable)
Sensitivity	-89dBm (adjustable)
Communication Speed	2Mbps
Conflict Avoidance	Able to identify 200 tags in 1 sec.
Identification Distance	0~80m (match 5dBi omni-directional antenna)
Physical Parameter	
Weight	233g
Dimension	135*75*22mm
Material	Aluminum Alloy + Acrylic
Environmental Parameter	
Working Temp.	-20°C~+70°C
Storage Temp.	-30°C~+80°C
Storage Humidity	5%~95% non-condensing

Product Introduction

SRF-801 is a 2.4G receiver which is equipped with 6 ports. These 6 ports can connect to SRF-803, and transmit the data to database via wired network. As a 2.4G reader, it uses PA+LNA design which enhances 2.4G performance, and is able to satisfy different applications.

Application

- Inventory Monitoring
- Vehicle Tracking

■ SPECIFICATIONS ARE SUBJECT TO CHANGE WITHOUT NOTICE